

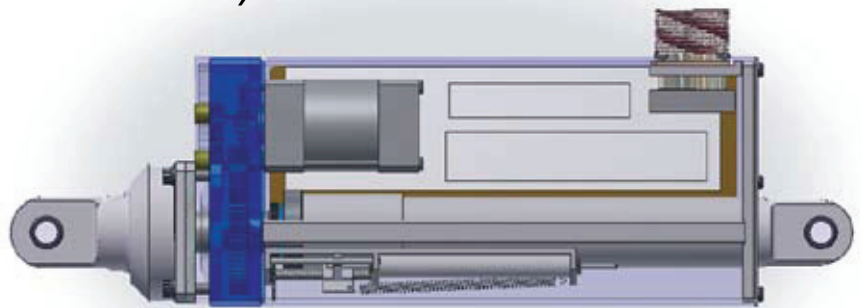
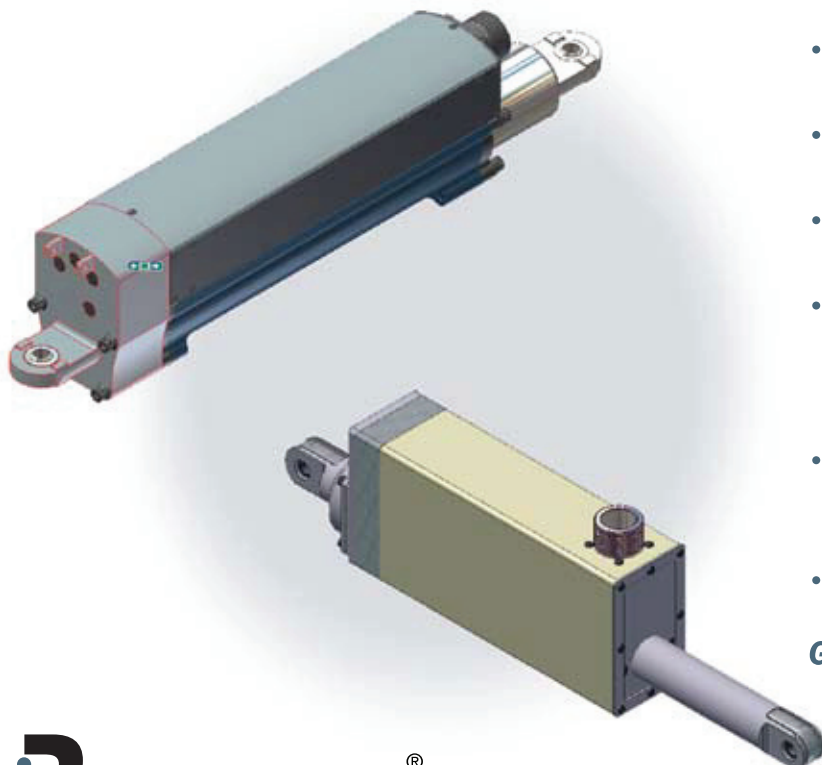
Get SMART

The Smart Actuator – Leading-Edge Technology from Beaver Aerospace & Defense, Inc.

Applications

The Smart Actuator is an electromechanical linear actuator with onboard computer capabilities used to replace hydraulic and conventional actuators for:

- UAVs
- Aircraft
- Shipboard
- Robotic vehicles
- Un-manned submarines
- Ground-based vehicles



Benefits

- Stroke limits are software adjustable (DO178 compliant), resulting in reduced rigging time.
- Variable actuation cycle time-actuator speed can be varied relative to aircraft speed
- Emergency free-fall deployment capability on landing gear actuators.
- Eliminates the need for up-lock actuators on landing gear systems
- Increased reliability and ease of system integration due to low wire count and lack of remote boxes. (Onboard computers eliminate wiring to a central control point)
- Reduced system weight and complexity when smaller distributed actuators replace larger central actuators and mechanical interconnection linkage
- Low-cost diagnostic tools

Get Smart—Call Beaver Aerospace & Defense, and find out how Smart actuators can help your application.

Beaver[®]
AEROSPACE & DEFENSE, INC.

A SUBSIDIARY OF PHILLIPS SERVICE INDUSTRIES

11850 Mayfield • Livonia, Michigan 48150
734.853.5003 • Fax: 734.853.5043
beaver-online.com

BAD-07-112 REV 5-07